

Foot Plates

for Grub Screws DIN 6332, Stainless Steel

SPECIFICATION

Types

- Type **N**: Without plastic cap
- Type **G**: With plastic cap, gliding
- Type **R**: With plastic cap, non-gliding

Foot plate

Stainless steel AISI 304

Retaining spring

Stainless steel AISI 301

Plastic caps

- Type G
Technopolymer (Polyacetal POM)
Cream RAL 9001
- Type R
Elastomer (TPE)
Hardness \approx 75 Shore A
Black



INFORMATION

Foot plates GN 6311.5 are used in connection with screws with pivots (grub screws DIN 6332 (see page 912)) for installing and leveling devices and mechanisms.

Owing to the special shape of immovable retaining spring, the foot plate is easily plugged onto and removed from the pivot.

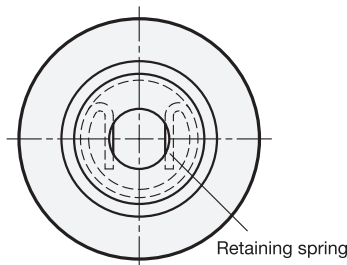
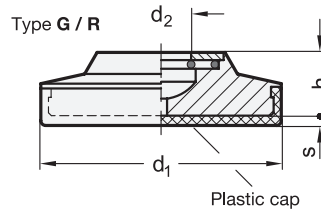
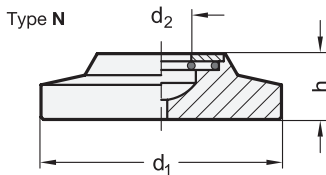
The types G and R with plastic cap prevent damage to sensitive surfaces. Due to the large plate diameter d_1 , the contact pressure remains within tolerable limits.

ACCESSORY

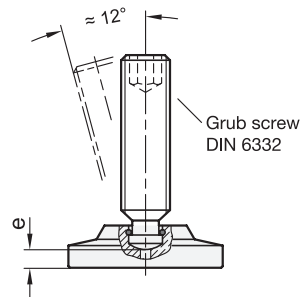
- Grub Screws DIN 6332 (see page 912)

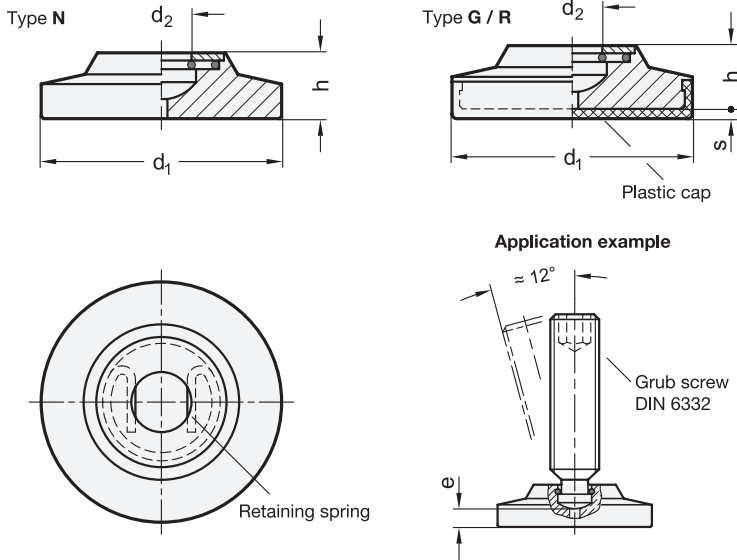
TECHNICAL INFORMATION

- Plastic Characteristics (see page A2)
- Stainless Steel Characteristics (see page A26)



Application example





GN 6311.5-N

STAINLESS STEEL

Description	d ₁	h	d ₂ +0.2	e ≈	suitable for grub screw DIN 6332	⚖
GN 6311.5-50-11,5-N	50	11.5	9.2	3.7	M 12	135
GN 6311.5-50-13,5-N	50	13.5	12.5	4	M 16	144
GN 6311.5-60-13,5-N	60	13.5	12.5	4	M 16	230
GN 6311.5-60-15,5-N	60	15.5	16.5	4.3	M 20	238
GN 6311.5-80-18-N	80	18	12.5	8	M 16	465
GN 6311.5-80-20-N	80	20	16.5	8.3	M 20	482
GN 6311.5-100-20-N	100	20	12.5	11	M 16	834
GN 6311.5-100-22-N	100	22	16.5	11.3	M 20	850

GN 6311.5-G

STAINLESS STEEL

Description	d ₁	h	d ₂ +0.2	e ≈	s	suitable for grub screw DIN 6332	⚖
GN 6311.5-50-11,5-G	50	11.5	9.2	3.7	2	M 12	130
GN 6311.5-50-13,5-G	50	13.5	12.5	4	2	M 16	134
GN 6311.5-60-13,5-G	60	13.5	12.5	4	2	M 16	221
GN 6311.5-60-15,5-G	60	15.5	16.5	4.3	2	M 20	229

GN 6311.5-R

STAINLESS STEEL

Description	d ₁	h	d ₂ +0.2	e ≈	s	suitable for grub screw DIN 6332	⚖
GN 6311.5-50-11,5-R	50	11.5	9.2	3.7	2	M 12	118
GN 6311.5-50-13,5-R	50	13.5	12.5	4	2	M 16	124
GN 6311.5-60-13,5-R	60	13.5	12.5	4	2	M 16	201
GN 6311.5-60-15,5-R	60	15.5	16.5	4.3	2	M 20	208
GN 6311.5-80-18-R	80	18	12.5	8	2.5	M 16	427
GN 6311.5-80-20-R	80	20	16.5	8.3	2.5	M 20	438
GN 6311.5-100-20-R	100	20	12.5	11	3	M 16	782
GN 6311.5-100-22-R	100	22	16.5	11.3	3	M 20	797

